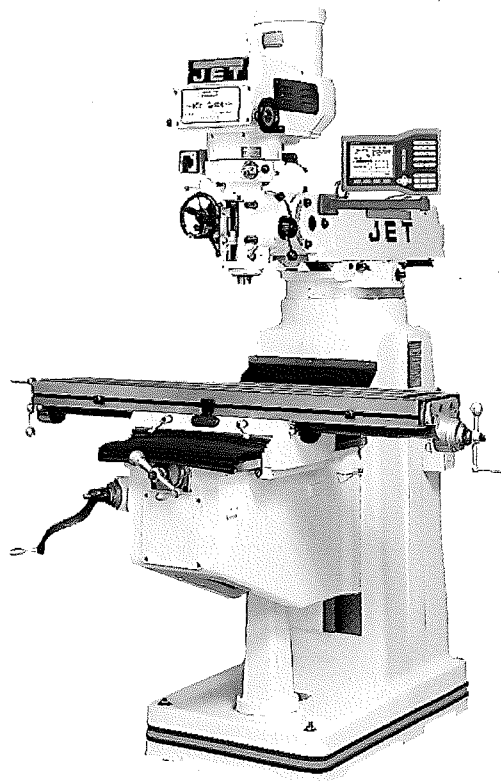


Robert R Shaw STEAM Center

Basic Mill Training



Robert R Shaw STEAM Center

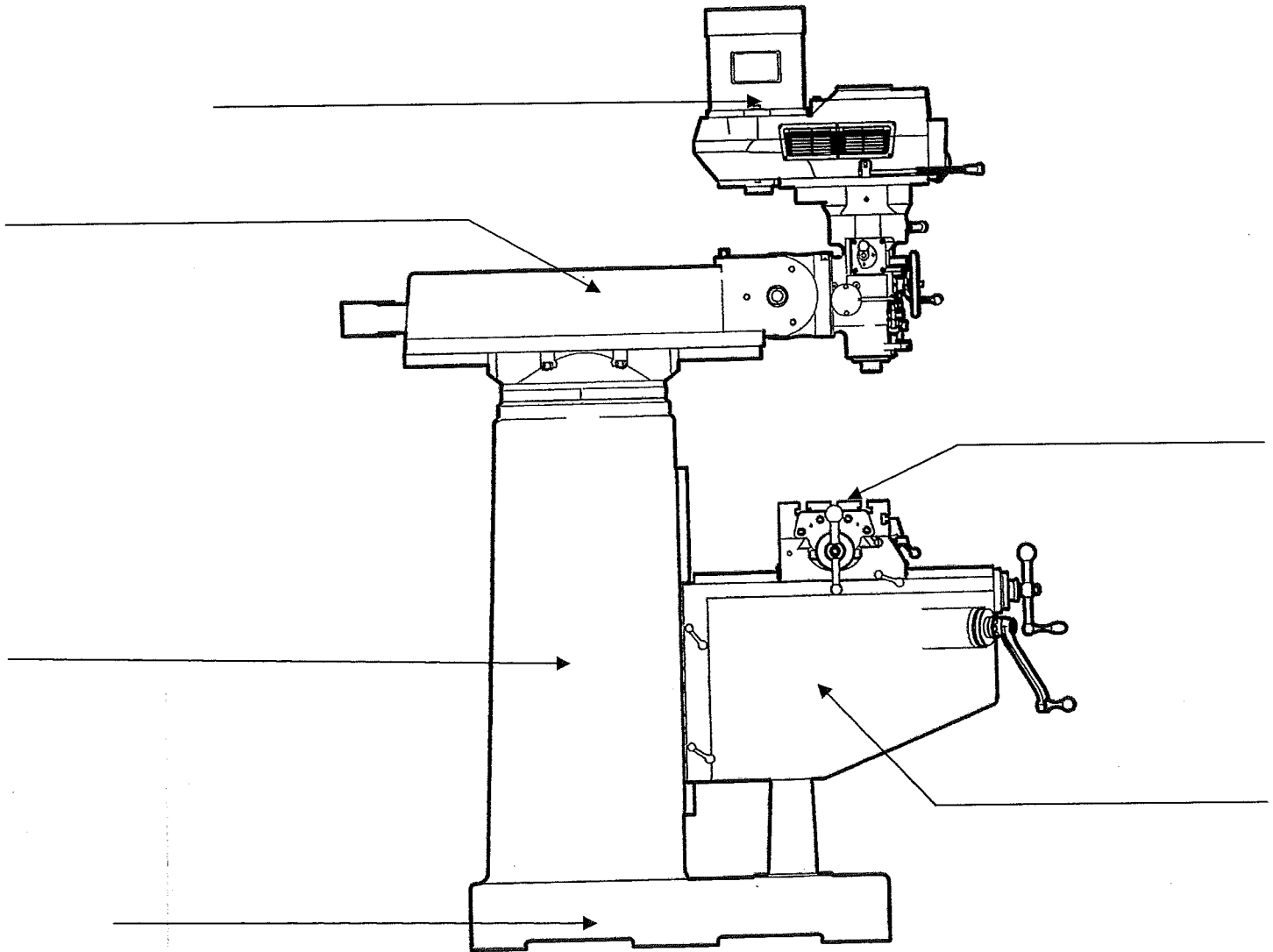
Name _____

Date _____

School _____

What is the name of the machine ? _____

Identify the six (6) major parts.



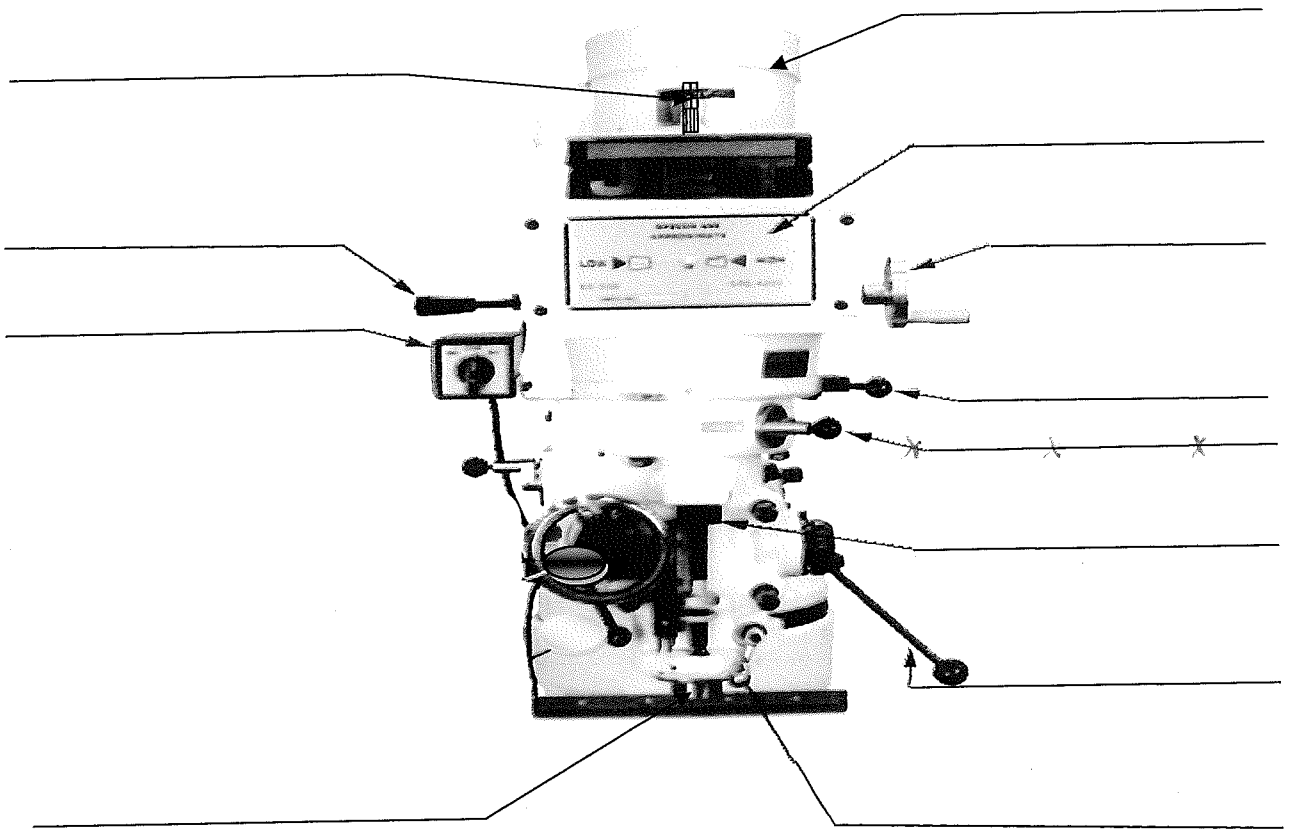
Robert R Shaw STEAM Center

Name _____ Date _____

School _____

What is the name of the major part? _____

Identify the twelve (12) parts indicated.



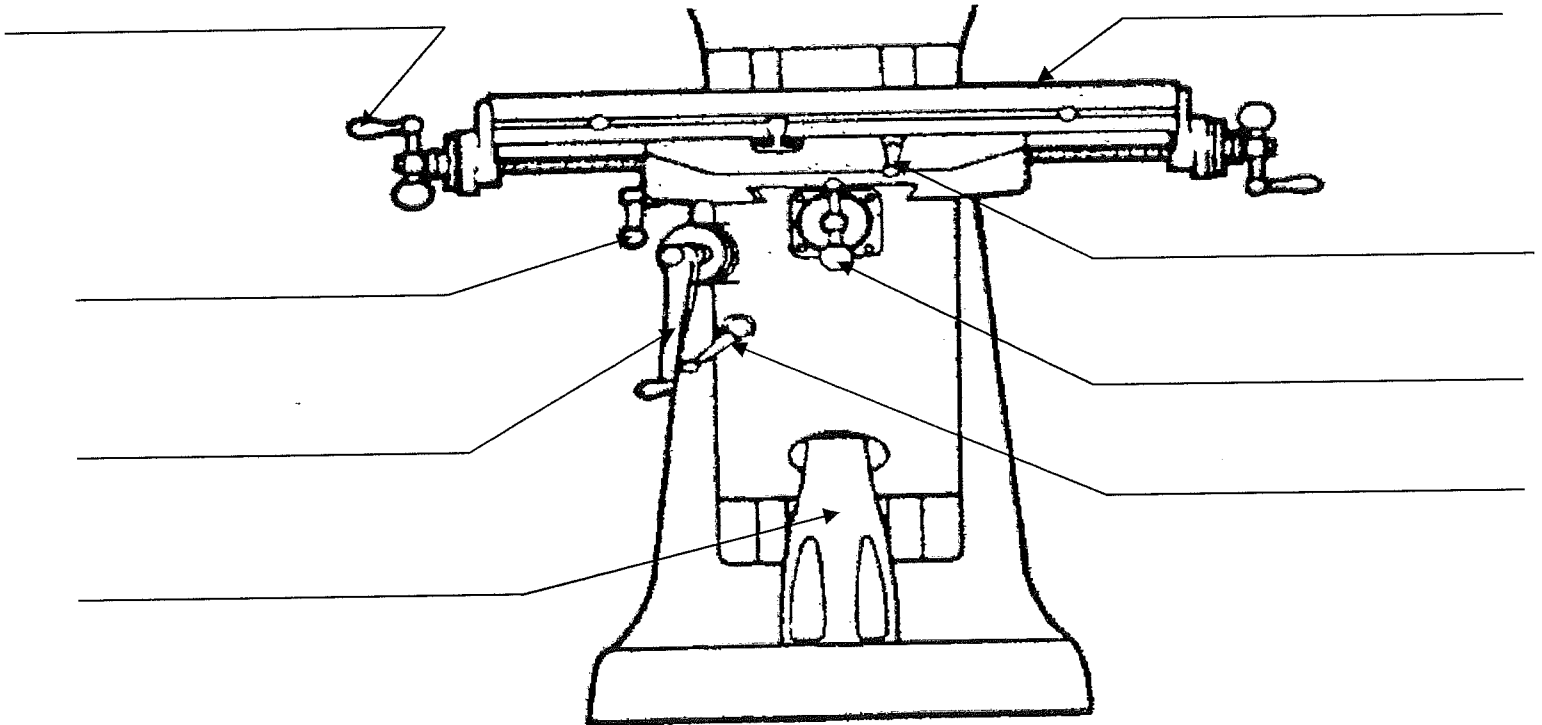
Robert R Shaw STEAM Center

Name _____

Date _____

School _____

Identify the eight (8) parts indicated.

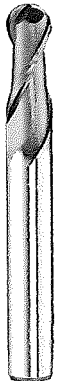
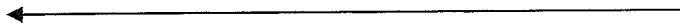
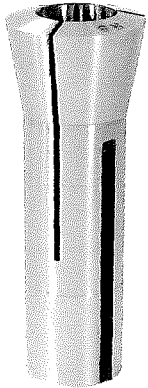


Name _____

Date _____

School _____

Identify the three (3) images



Name _____

Date _____

School _____

Identify the three (3) images

